

OCS-I/O - HE959DQM502

4 Relay Outputs

1 TECHNICAL SPECIFICATIONS

1.1 General Specifications

Required Power (Steady State)	<320mA @ 5V
Relay Outputs	4
Relative Humidity	5-95% non-condensing
Port Connectors	Phoenix Contact 2201780
Port Wiring (Analog Inputs and Digital I/O)	16-24 AWG / 0.2-1.4mm ²
Operating Air Temp	-40°C (-40°F) to 50°C (140°F)
Storage Temp	-40°C (-40°F) to 85°C (185°F)
Weight	101g (3.56 oz.)
Dimensions	76.5mm x 124.5mm x 19mm 3" x 4.9" x 0.75"
Certifications (UL/CE)	North America: https://hornerautomation.com/certifications/ Europe: https://www.hornerautomation.eu/support/certifications-2

1.2 Digital Outputs - Relay

Inputs per Module	4
Commons per Module	4
Max Output Current per Relay	AC/DC 5A
Max Output per Module	10A
Max Output Voltage	240VAC
Max. Switched Power	150W
Contact Isolation to Ground	500VDC
Expected Life	100k @ rated load (resistive)
Type	1a

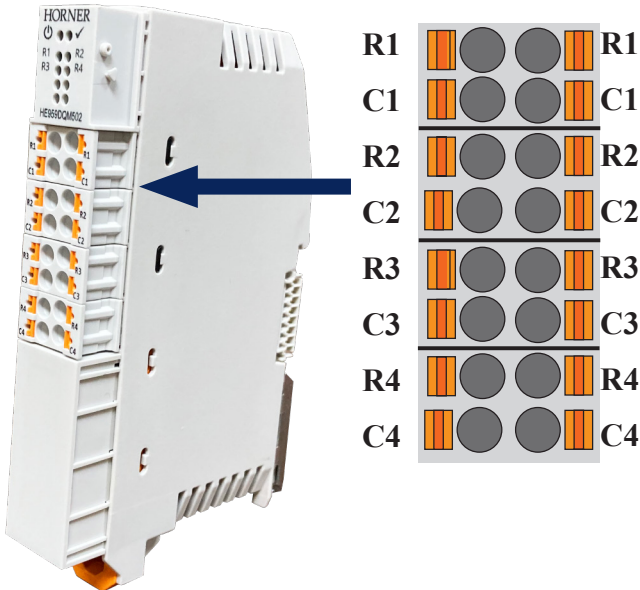


Cscape Configuration - See MAN1175 for the HE959CNX116.

2 WIRING

Wiring Overview

Wiring used for main wiring should be 300V 105C rating or higher.

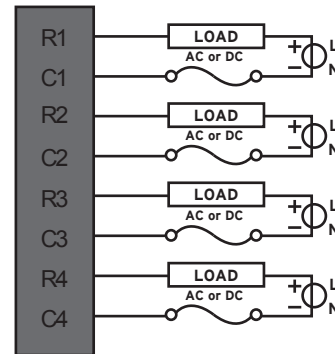


Relay Outputs



Relay outputs should be connected to the same voltage levels (e.g. all connected to 240Vac supply sources or all connect to 24V supply sources).

4 RELAY OUTPUTS			
Signal	Description	Signal	Description
R1	Relay Output 1	R1	Relay 1
C1	Common 1	C1	Relay Common 1
R2	Relay Output 2	R2	Relay 2
C2	Common 2	C2	Relay Common 2
R3	Relay Output 3	R3	Relay 3
C3	Common 3	C3	Relay Common 3
R4	Relay Output 4	R4	Relay 4
C4	Common 4	C4	Relay Common 4



3 DIAGNOSTIC LED INDICATORS

Status	OK LED
OFF	Power Up
ON	IO Module Running Normally
BLINK (1Hz)	On of the following errors: a. Communication between IO Base and IO Module (IO ERROR) b. No Configuration c. OCS idle mode

4 SAFETY

4.1 - WARNINGS



WARNING - If the equipment is used in a manner not specified by Horner APG, the protection provided by the equipment may be impaired.

WARNING - EXPLOSION HAZARD - Do not disconnect equipment unless power has been removed or the area is known to be non-hazardous

AVERTISSEMENT - RISQUE D'EXPLOSION -Ne débranchez pas l'équipement tant que l'alimentation n'a pas été coupée ou que la zone n'est pas dangereuse.

WARNING - EXPLOSION HAZARD - Substitution of any component may impair suitability for Class I, Division 2

AVERTISSEMENT - RISQUE D'EXPLOSION -Le remplacement de tout composant peut nuire à la compatibilité avec la classe I, division 2

WARNING - POSSIBLE EQUIPMENT DAMAGE - Remove power from the I/O Base and any peripheral equipment connected to this local system before adding or replacing this or any module.

AVERTISSEMENT - DOMMAGES POSSIBLES À L'ÉQUIPEMENT - Coupez l'alimentation de la base d'E / S et de tout équipement périphérique connecté à ce système local avant d'ajouter ou de remplacer ce module ou tout autre module.

4.2 - SAFETY

- a. All applicable codes and standards should be followed in the installation of this product.
- b. Shielded, twisted-pair wiring should be used for best performance.
- c. Shields should be grounded at one end only, preferably at the end providing the best noise shunting.
- d. Use the following wire type or equivalent: Belden 8441.

5 PART NUMBER

HE959DQM502

6 TECHNICAL SUPPORT

For assistance and manual updates, contact Technical Support at the following locations:

North America

(317) 916-4274
www.hornerautomation.com
techsppt@heapg.com

Europe

(+) 353-21-4321-266
www.hornerautomation.eu
technical.support@horner-apg.com