



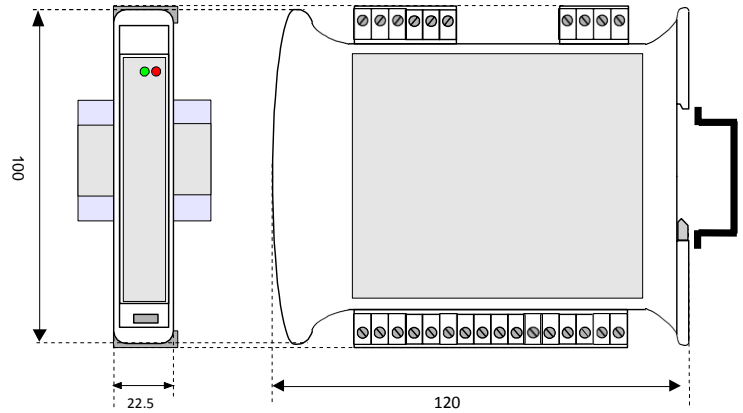
SmartMod+ Analogue Input Module HE389ADC107 4 Analogue Voltage or Current Inputs



1 Specifications

	Min	Max		
Input Voltage	-10V	+10V	Thermal Drift – Full Scale	±0.01 %/ °C
Input Current	-20mA	+20mA	Sample Time (per channel)	40ms
Operating Temp.	-10° to 60 °C		Input Impedance	Volt >= 1 MΩ Current -22Ω
Relative Humidity	0 to 90% Non-condensing		Storage Temp.	-40° to 85 °C
Input Accuracy	V ±0.05 %f.s. mA ±0.05 %f.s.		Mounting	DIN Rail standard EN-50022
External Power Supply Voltage	10-30Vdc		Weight	150g
Current Consumption	45mA @ 24VDC		Warm up time	3 min
Reverse Polarity Protection	60 Vdc max		Communications	CANopen Protocol
Isolation	2000 VAC, 50Hz, 1 min		Max Data Transmission Baud Rate	1 Mbps
			Max. Distance	1200m
CE Compliance	Immunity EN 61000-6-2 Emission EN61000-6-4			

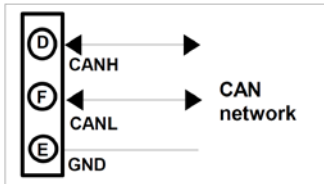
Mechanical Dimensions (mm)



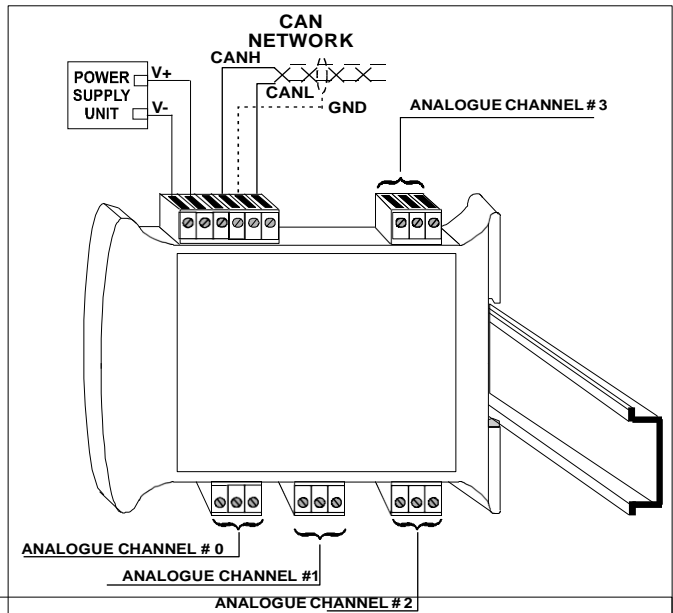
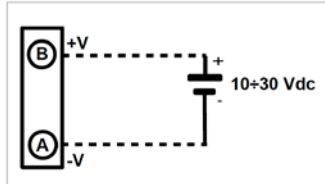
Note: Number of I/O terminal connections varies from model to model

2 Wiring – I/O

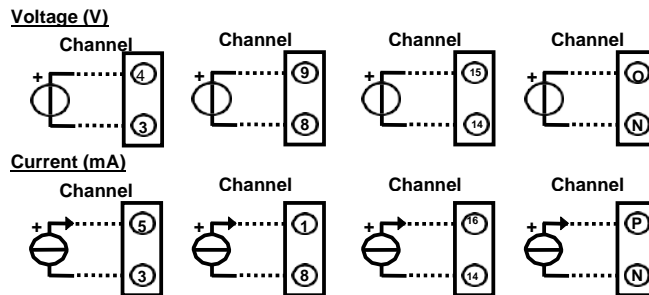
CAN NETWORK WIRING



POWER SUPPLY WIRING

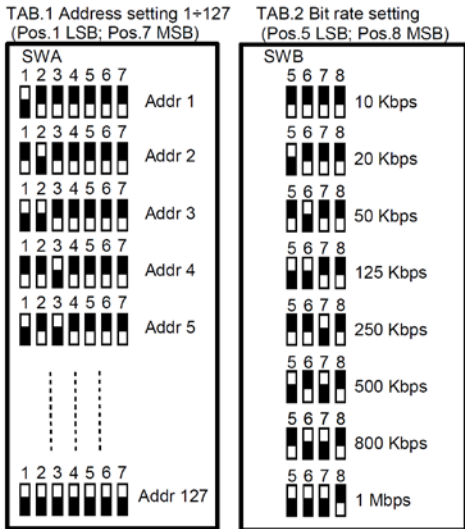


Input Wiring

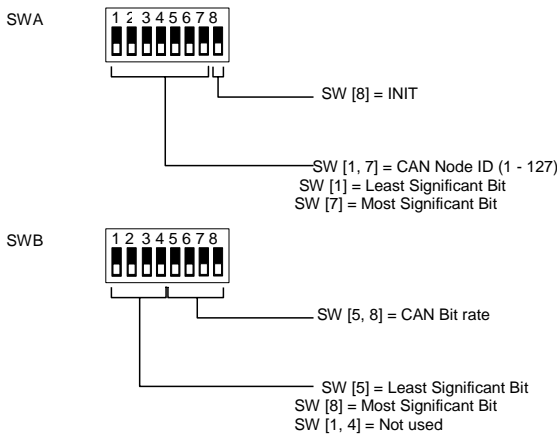
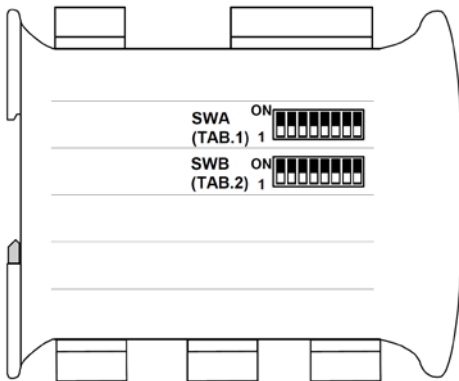


Terminals 3,8,14, and N = input negative reference
NOTES: The inputs are not isolated channel to channel

3 DIP Switches: Configuration Table



DIP SWITCH POSITION



4 Communication Protocols

This module is designed to work with the **CANopen Protocol**, one of the most used standard communication protocols, and allows the direct interface of HE389 series modules to Horner X-Series CAN Controllers in compliance with the CiA DS 301 and CiA DS 401 standards.

5 User Instructions

Before installing this module, please read the **Installation Instructions** section carefully. Connect the power supply, the data line and the I/O signals as shown in the **Wiring** section. Refer to the **LED Indicator** section to verify that the module is working correctly. For easy maintenance or the substitution of the module, it is possible to “hot swap” the terminals.

6 Installation Instructions

Attach the HE389ADC107 to DIN rails in the vertical position. For optimum operation follow these instructions:

When the modules are installed side by side and - If the panel temperature exceeds 45°C and power supply voltage is 10 VDC - **it may be necessary to separate them by >5 mm:**

Make sure that there is sufficient air flow around the module, avoid placing near cable routing or other objects that can obstruct the ventilation slits. Additionally, avoid mounting modules above appliances that generate heat. Ideally, they should be placed in the lower part of the panel. Install the module in a location without vibration.

It is also recommended to avoid routing conductors near power signal cables (motors, induction ovens, inverters etc...) and to use shielded cables for connecting signals.

7 LED Indicator

LED	COLOUR	STATE	DESCRIPTION
RUN	GREEN	ON	Device in Operational mode
		BLINKING	Device in Pre-Operational mode
		SLOW BLINKING	Device stopped
ERR	RED	OFF	No error
		ON	Bus off
		BLINKING	Invalid configuration

The LED's are located on the front of the model.

8 The Object Dictionary (OD)

The Object Dictionary is the part of the module profile, where the objects that influence the modules behavior are grouped (application objects, communication objects and state objects). The structure of the Object Dictionary is predefined as per the CANopen Standard CiA301.

How to read the Object Dictionary table present in this document.

Index	No. Sub Index	Name	Description	Object Type	Default Value	Access
-------	---------------	------	-------------	-------------	---------------	--------

Index: 16-bit number expressed in Hex format used to address the object in the OD.

Sub-index: 8-bit number expressed in Hex format used to indicate and address the sub parts of an object.

Name: Defines the name of the object in the OD.

Description: Text strings that describe what the function of the object is.

Object type: Indicates what the data type of the object is (Unsigned 32, Boolean, etc.).

Default value: Indicates what the default value for an object is.

Access: Indicates what the type of access designed for an object is.

RO: indicates an object that can only be read.

RW: indicates an object that can be read and written to.

---: indicates that the object is a complex object addressed by Sub-index.

9 Process Data Objects (PDO)

The real-time data-transfer is performed by means of the **Process Data Object** (PDO). The PDO is only transmitted from one Producer to one or more Consumers. The data field of a PDO can be between 1 and 8 bytes long.

There are two kinds of PDOs: the first is used for data transmission (TPDO) and the second for data reception (RPDO).

The PDOs are described by the communication and mapping parameters. The communication parameters define the communication capability of the PDO, the mapping parameters define the content of the PDO.

Data type and mapping of the application objects into a PDO are determined by the default structure specified in the Object Dictionary.

The communication parameter is composed of:

- COB-ID
- Transmission type
- Inhibit time
- Event timer

COB-ID.

The COB-ID is the **Connection Object Identifier** and contains the unique CAN message Identifier of the object and additional configuration bits. For the PDOs the following 32-bit COB-ID's are defined.

```

TPDO1: NODE ID + 0x00000180
TPDO2: NODE ID + 0x00000280
TPDO3: NODE ID + 0x00000380
TPDO4: NODE ID + 0x00000480
RPDO1: NODE ID + 0x00000200
RPDO2: NODE ID + 0x00000300
RPDO3: NODE ID + 0x00000400
RPDO4: NODE ID + 0x00000500

```

The NODE ID is the CAN node ID of the device. The range value is from 0x01 (decimal 1) up to 0x7F (decimal 127). If the first byte is 8 the PDO is not used, if it is 0, the PDO is used.

Transmission Type.

To transmit the PDO the following transmission modes can be used:

- Synchronous Transmission
- Asynchronous Transmission

The value of the parameter Transmission Type defines how the PDO transmission is performed.

For TPDOs:

Value 0.

The TPDO is synchronous acyclic; it is transmitted upon receiving a SYNC object when one or more parameters change. Value 1-240.

The TPDO is synchronous cyclic. It is transmitted upon every nth SYNC object within the Synchronous Window Length (object 0x1007). The value n is the value of the Transmission Type.

NOTE: The Communication Cycle Period object (0x1006) expresses the time between two SYNC objects and must have the same value or a bigger value than the Synchronous Window Length.

Value 255.

The TPDO is asynchronous and it is transmitted as a function of the parameter Event Timer.

For RPDOs:

Value 0-240.

The RPDO is synchronous and the actual value of the transmission type is not relevant because the RPDO is processed on reception of the next SYNC object.

Value 255.

The RPDO is asynchronous and it is processed by the node as soon as the PDO arrives.

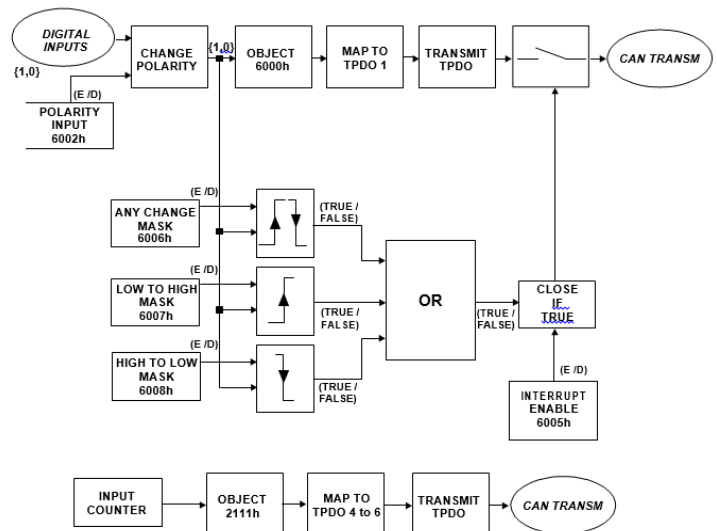
Inhibit Time.

This is the time when the PDO is not transmitted. The PDO is transmitted only when the time expires.

Event Timer.

The PDO is transmitted on a fixed time base

10 Functional Diagram for Digital Inputs Transmission



11 Interrupt Triggering TPDO Transmission

The analogue signals are processed and transferred to the object 6401h. The data associated with this object is moved to the TPDO as a function of the mapping parameters set in the object 1A01h. The communication parameters of TPDO are defined in the object 1801h.

At the same time the analogue value is checked with the values contained in the objects 6424h (upper limit), 6425h (lower limit) and 6426h (delta). The system executes the Boolean operation XOR between the object 6424h (true if the input value is greater or equal to the pre-set values of the object) and the object 6425h (true if the input value is lower than the pre-set values of the object) and successively executes the Boolean operation AND between the result of the XOR and the object 6426h (true if the input value rises or falls above or below the delta value with respect to the last communicated value). If the result of the operation AND is true, the transmission of the TPDO is performed only if the object 6423h has been enabled (value set as 255).

12 HE389ADC107 Object Dictionary

Index	No. Sub-index	Name	Description	Object type	Default value	Access
0x1000	0	Device Type	Identifies the type of device (analogue input) and its Device Profile (CiA 401)	Unsigned 32	0x00040191	RO
0x1001	0	Error register	Register used to monitor eventual internal errors	Unsigned 8	0x00	RO
0x1002	0	Manufacturer status register	Status register	Unsigned 32	0x00000000	RO
0x1003	2	Predefined error field	Contains the list of the recent errors	Array	-----	----
	Sub Index 0	Number of errors	Contains the number of errors occurred	Unsigned 8	0x00	RW
	Sub Index 1	Standard error field 1	Stores the recent errors occurred	Unsigned 32	0x00000000	RO
0x1005	0	SYNC COB-ID	Defines the COB-ID of the Synchronism Object consumed	Unsigned 32	0x00000080	RW
0x1006	0	Communication cycle period	Defines the SYNC interval and it is expressed as μ s	Unsigned 32	0x00000000	RW
0x1007	0	Synchronous window length	Defines the time window expressed as μ s to transmit the synchronous PDO after the SYNC object	Unsigned 32	0x00000000	RW
0x1008	0	Manufacturer device name	Contains the device's name	Visible String	HE389ADC107	RO
0x1009	0	Manufacturer hardware Version	Indicates the hardware version of the device	Visible String	"1.00"	RO
0x100A	0	Manufacturer software Version	Indicates the version of the device's firmware	Visible String	"2.10"	RO
0x1010	2	Store parameters	Supports the saving of the parameters	Array	-----	----
	Sub Index 0	Max sub-index number	Contains the number of sub index supported	Unsigned 8	0x01	RO
	Sub Index 1	Save all parameters	Saves all the parameters	Unsigned 32	0x00000000	RW
Write the value 65766173 Hex, 1702257011 Decimal (ASCII "save") in sub-index to save data.						
0x1011	2	Restore default	Restore the default values of the parameters	Array	-----	----
	Sub Index 0	Max sub-index number	Contains the number of sub index supported	Unsigned 8	0x01	RO
	Sub Index 1	Restore all parameters	Restores all the parameters	Unsigned 32	0x00000000	RW
Write the value 64616F6C Hex, 1684107116 Decimal (ASCII "load") in sub-index to restore data. Type of reset caused at the restore of default: -restore of sub index 1 : Node reset						

Index	No. Sub-index	Name	Description	Object type	Default value	Access
0x1014	0	COB-ID Emergency Object (EMCY)	Defines the COB-ID of the Emergency Object	Unsigned 32	Node ID + 0x80	RW
0x1015	0	Inhibit time (EMCY)	Defines the inhibit time for the Emergency Object (multiple of 100 µs)	Unsigned 32	0x00000000	RW
	2	Consumer heartbeat time	Defines the heartbeat cycle time (multiple of 1 ms)	Array	-----	----
0x1016	Sub Index 0	Max sub-index number	Contains the number of sub index supported	Unsigned 8	0x01	RO
	Sub Index 1	Consumer heartbeat time	Heartbeat time	Unsigned 32	0x00000000	RW
0x1017	0	Producer heartbeat time	Defines the heartbeat cycle time (multiple of 1 ms)	Unsigned 16	0x00000000	RW
	5	Identity	Contains the general information about the device	Record	-----	----
0x1018	Sub Index 0	Max sub-index number	Contains the number of sub-indices supported	Unsigned 8	0x04	RO
	Sub Index 1	Vendor ID	Horner APG Unique code	Unsigned 32	0x00000044	RO
	Sub Index 2	Product code	HE389ADC107 ID code	Unsigned 32	0x00000003	RO
	Sub Index 3	Revision number	Revision number	Unsigned 32	0x00000000	RO
	Sub Index 4	Serial number	Serial number code	Unsigned 32	0x00000000	RO
0x1029	2	Error behaviour	Defines the behaviour of the device in case of error encountered	Array	-----	----
	Sub Index 0	Max sub-index number	Contains the number of error classes	Unsigned 8	0x01	RO
	Sub Index 1	Communication error	Defines the device condition for a communication error	Unsigned 8	0x00	RW
0x1200	3	Server SDO parameters	Describes the SDO communication channel for the node	Array	-----	----
	Sub Index 0	Max sub-index number	Contains the number of sub-index supported	Unsigned 8	0x02	RO
	Sub Index 1	COB ID Client to Server (Receive SDO)	Defines the COB ID in case of receiving SDO	Unsigned 32	Node ID + 0x600	RO
	Sub Index 2	COB ID Server to Client (Transmit SDO)	Defines the COB ID in case of transmitting SDO	Unsigned 32	Node ID + 0x580	RO
0x1801	5	2nd TPDO communication parameters	List of the parameters of the 2 nd TPDO	Record	-----	----
	Sub Index 0	Max sub-index number	Contains the number of sub-index supported	Unsigned 8	0x04	RO
	Sub Index 1	COB ID	Defines the COB ID of the PDO	Unsigned 32	Node ID + 0x280	RW
	Sub Index 2	Transmission type	Defines the transmission type for the TPDO	Unsigned 8	0xFF	RW
	Sub Index 3	Inhibit timer	Defines the delay to transmit the next PDO (multiple of 100 µs)	Unsigned 16	0x0000	RW
	Sub Index 5	Event timer	Transmits the PDO when the timer is expired (multiple of 1 ms)	Unsigned 16	0x0000	RW
0x1A01	5	2nd TPDO mapping parameters	List of mapping parameters of the 2 nd TPDO	Array	-----	----
	Sub Index 0	Max sub-index number	Contains the number of sub-index supported	Unsigned 8	0x04	RW
	Sub Index 1	Mapped Object 1	Defines the 1 st object mapped into TPDO	Unsigned 32	0x64010110	RW
	Sub Index 2	Mapped Object 2	Defines the 2 nd object mapped into TPDO	Unsigned 32	0x64010210	RW
	Sub Index 3	Mapped Object 3	Defines the 3 rd object mapped into TPDO	Unsigned 32	0x64010310	RW
	Sub Index 4	Mapped Object 4	Defines the 4 th object mapped into TPDO	Unsigned 32	0x64010410	RW

Index	No. Sub-index	Name	Description	Object type	Default value	Access
0x2101	0	Can Node ID	Defines which is the default CAN node number of the device	Unsigned 8	0x7F	RO
	Values available: from Dec.1 (0x01) up to Dec 127 (0x7F).					
0x2102	0	Can bit rate	Defines which is the default bit rate value	Unsigned 8	0x03	RO
	Decimal and Hex value to select the Bit rate parameter.					
	Bit rate		Value (Dec)		Value (Hex)	
	10 Kbps		0		0x00	
	20 Kbps		1		0x01	
	50 Kbps		2		0x02	
	125 Kbps		3		0x03	
	250 Kbps		4		0x04	
	500 Kbps		5		0x05	
	800 Kbps		6		0x06	
1 Mbps		7		0x07		
0x2107	5	Sensor type selection	Contains the programming of the Analog Input Channels	Array	-----	----
	Sub Index 0	Max sub-index number	Contains the number of sub-index supported	Unsigned 8	0x04	RO
	Sub Index 1	CH1 sensor type	Programming of Input Channel 1	Unsigned 8	0x07	RW
	Sub Index 2	CH2 sensor type	Programming of Input Channel 2	Unsigned 8	0x07	RW
	Sub Index 3	CH3 sensor type	Programming of Input Channel 3	Unsigned 8	0x07	RW
	Sub Index 4	CH4 sensor type	Programming of Input Channel 4	Unsigned 8	0x07	RW
	Decimal and Hex values to select the type of the input sensor.					
Input type		Value (Dec)		Value (Hex)		
Input not used		0		0x00		
± 10 V		7		0x07		
± 20 mA		8		0x08		

Index	No. Sub-index	Name	Description	Object type	Default value	Access
0x6401	5	16 bit Input Channel Measure	Contains the measures of the Analog Input Channels	Array	-----	----
	Sub Index 0	Max sub-index number	Contains the number of sub-index supported	Unsigned 8	0x04	RO
	Sub Index 1	CH1 measure	Shows the measure of the Input Channel 1	Integer 16	-----	RO
	Sub Index 2	CH2 measure	Shows the measure of the Input Channel 2	Integer 16	-----	RO
	Sub Index 3	CH3 measure	Shows the measure of the Input Channel 3	Integer 16	-----	RO
	Sub Index 4	CH4 measure	Shows the measure of the Input Channel 4	Integer 16	-----	RO
0x6423	0	16 bits Analogue Global Interrupt Enable	Enables / Disable globally the interrupt behaviour	Unsigned 8	0	RW
	Value 0: object disable (no analogue input activates the interrupt). Value 255: object enabled (one or more analogue input can activate the interrupt).					
0x6424	5	16 bits Analogue Interrupt Upper limits	Contains the upper limits for the analogue input channels	Array	-----	----
	Sub Index 0	Max sub-index number	Contains the number of sub-index supported	Unsigned 8	0x04	RO
	Sub Index 1	CH1 Interrupt Upper limit	Upper limit of the Channel 1	Integer 16	0x0000	RW
	Sub Index 2	CH2 Interrupt Upper limit	Upper limit of the Channel 2	Integer 16	0x0000	RW
	Sub Index 3	CH3 Interrupt Upper limit	Upper limit of the Channel 3	Integer 16	0x0000	RW
	Sub Index 4	CH4 Interrupt Upper limit	Upper limit of the Channel 4	Integer 16	0x0000	RW
This object works only if the Object 0x6423 has been enabled. The interrupt is triggered when the input value rise above or is equal to the set value.						
0x6425	5	16 bits Analogue Interrupt Lower limits	Contains the lower limits for the analogue input channels	Array	-----	----
	Sub Index 0	Max sub-index number	Contains the number of sub-index supported	Unsigned 8	0x04	RO
	Sub Index 1	CH1 Interrupt Lower limit	Lower limit of the Channel 1	Integer 16	0x0000	RW
	Sub Index 2	CH2 Interrupt Lower limit	Lower limit of the Channel 2	Integer 16	0x0000	RW
	Sub Index 3	CH3 Interrupt Lower limit	Lower limit of the Channel 3	Integer 16	0x0000	RW
	Sub Index 4	CH4 Interrupt Lower limit	Lower limit of the Channel 4	Integer 16	0x0000	RW
This object works only if the Object 0x6423 has been enabled. The interrupt is triggered when the input value falls below the set value.						
0x6426	5	16 bits Analogue Interrupt Delta	Contains the delta values for the analogue input channels	Array	-----	----
	Sub Index 0	Max sub-index number	Contains the number of sub-index supported	Unsigned 8	0x04	RO
	Sub Index 1	CH1 Delta limit	Delta value for the Channel 1	Integer 16	0x000A	RW
	Sub Index 2	CH2 Delta limit	Delta value for the Channel 2	Integer 16	0x000A	RW
	Sub Index 3	CH3 Delta limit	Delta value for the Channel 3	Integer 16	0x000A	RW
	Sub Index 4	CH4 Delta limit	Delta value for the Channel 4	Integer 16	0x000A	RW
This object works only if the Object 0x6423 has been enabled. The interrupt is triggered when the input rises or falls above or below the last communicated value.						

13 Installation / safety

Warning: Remove power from the OCS controller, CAN port, and any peripheral equipment connected to this local system before adding or replacing this or any module.

- All applicable codes and standards should be followed in the installation of this product.
- Shielded, twisted-pair wiring should be used for best performance.
- Shields may be terminated at the module terminal strip.
- In severe applications, shields should be tied directly to the ground block within the panel.
- Use the following wire type or equivalent: Belden 8441.

For detailed installation and a [handy checklist](#) that covers panel box layout requirements and minimum clearances, refer to the hardware manual of the controller you are using.

When found on the product, the following symbols specify:



Warning: Electrical Shock Hazard.



Warning: Consult user documentation.

14 Technical support

Technical Support at the following locations:

North America:

Tel: 317 916-4274

Fax: 317 639-4279

Web: www.hornerautomation.com

Email: techsppt@heapg.com

Europe:

Tel: +353-21-4321266

Fax: +353-21-4321826

Web: <http://www.horner-apg.com>

Email: tech.support@horner-apg.com

No part of this publication may be reproduced without the prior agreement and written permission of Horner APG, Inc. Information in this document is subject to change without notice.