



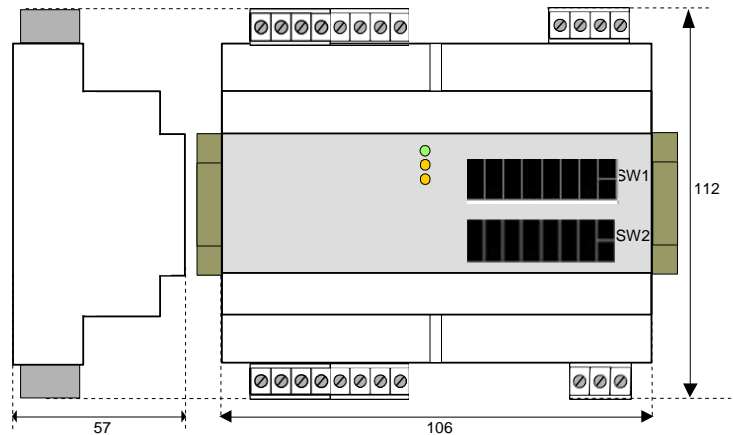
SmartMod+ Analogue Input Module HE379ADC120 8 ± 20mA Input Channels



1 Specifications

	Min	Max		
Input Current	-20 mA	+20 mA	Thermal Drift	±0.005 %/ °C
Input Impedance	>=50Ω		Sample Time (per channel)	0.5/ 1 sec
Input Accuracy	± 20µA		Storage Temp.	-40° to 85° C
Linearity	±0.1 % f.s.		Operating Temp.	-10° to 60° C
			Relative Humidity	0 to 90% Non-condensing
External Power Supply Voltage	10-30Vdc		Mounting	DIN Rail standard EN-50022
Required Power (Steady State)	35mA @ 24Vdc 45mA @ 10Vdc		Weight	200g
Reverse Polarity Protection	60 Vdc max		Communications	Modbus/RTU RS-485 half duplex
Isolation	1500 Vac, 50Hz, 1 min		Max. Data Transmission Baud Rate	115.2 Kbps
			Max. Distance	1.2 Km
CE Compliance	Immunity EN 61000-6-2 Emission EN61000-6-4			

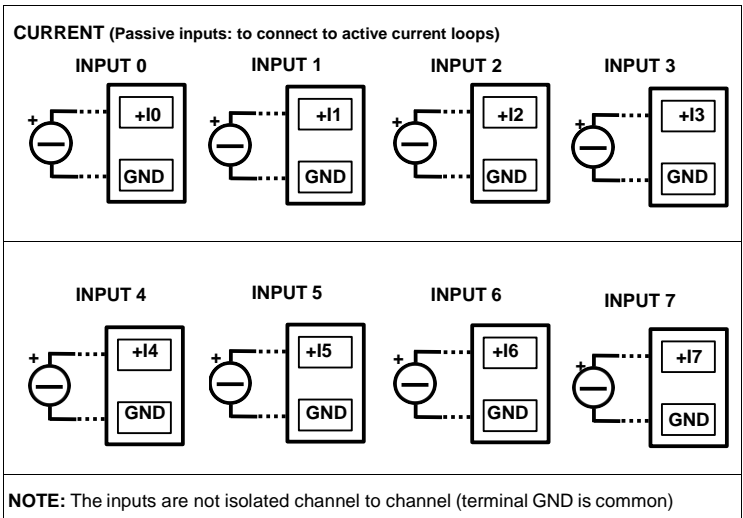
Mechanical Dimensions (mm)



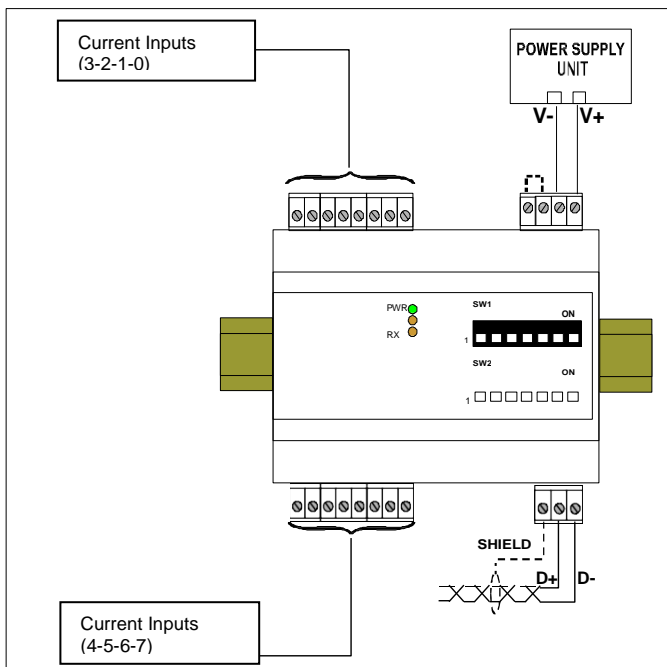
Note: Number of I/O terminal connections varies from model to model

Connections

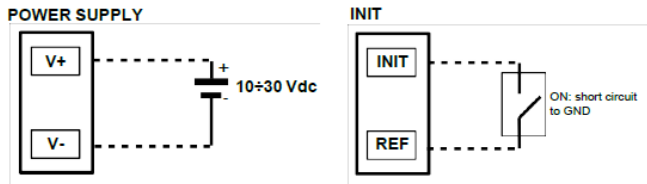
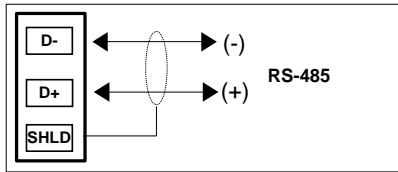
ANALOGUE INPUTS



2 Wiring - I/O



Serial Line RS485

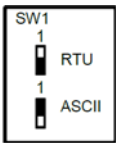


3 DIP Switches: Table of Configuration

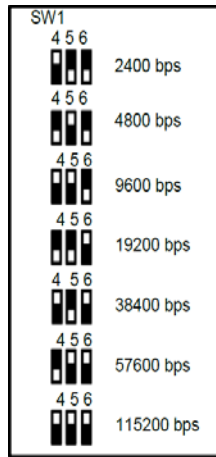
Warning: Set all the dip-switches to the OFF position to access the module in EEPROM mode (the module will follow all the communication parameters set by the software) or INIT.

Power-cycle the module to apply the settings of the dip-switches.

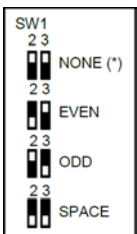
Tab 1: Mode Settings (Pos.1)



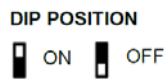
TAB.3 Baud rate settings (Pos.4 LSB; Pos.6 MSB)



TAB.2. Parity settings (Pos.2 LSB; Pos.3 MSB)



Note (*)
 -in Modbus RTU mode the setting is NONE, number of bits = 8
 -in Modbus ASCII mode the setting is MARK, number of bits = 7



4 Communication Protocols

This module is designed to work with the MODBUS RTU/MODBUS ASCII protocol, the standard protocol in fieldbus, and allows the direct interface of HE379 series modules to all Horner X-Series controllers.

5 User Instructions

Before installing this module, please read the **Installation Instructions** section carefully. It is possible to configure the module using the dip-switches located on the front of the module using the INIT mode. Connect the terminal INIT to the terminal REF and, at power-on, the module will be automatically set to the configuration set-up. Connect the power supply, serial bus and analogue inputs as shown in the **Wiring** section. The LEDs state depends on the working condition of the module, see the **LED Indicator** section to verify the modules working state. To perform configuration and calibration operations, read the instructions below.

To simplify handling or replacing the module, it is possible to remove the wired terminals when the module is powered on.

6 Installation Instructions

Attach the HE379ADC120 to DIN rails in the vertical position. For optimum operation follow these instructions:

When the modules are installed side by side and - If the panel temperature exceeds 45°C and power supply voltage is 10 VDC - it may be necessary to separate them by >5 mm:

Make sure that there is sufficient air flow around the module, avoid placing near cable routing or other objects that can obstruct the ventilation slits. Additionally, avoid mounting modules above appliances that generate heat. Ideally, they should be placed in the lower part of the panel. Install the module in a location without vibration.

It is also recommended to avoid routing conductors near power signal cables (motors, induction ovens, inverters etc...) and to use shielded cables for connecting signals.

7 LED Indicator

LED	COLOUR	STATE	DESCRIPTION
POWER	Green	ON	Device Powered
		OFF	Device Not Powered
		BLINK	1 sec. - Watch-Dog alarm condition occurred
RX	Orange	BLINK	Receiving Data
		OFF	Not receiving data
TX	Orange	BLINK	Transmitting Data
		OFF	Not Transmitting data

The LED's are located on the front of the module.

8 User Guide- MODBUS Protocol

All of the data shared by modules communicating via Modbus RTU / Modbus ASCII protocol are mapped in tables at defined addresses. Each data point can be one of two types:

- "REGISTER", 2 bytes (word of 16 bits) that can be associated with analogue input or output, variables, set-point, etc...
- "COIL", 1 single bit that can be associated with digital input or output or to a logic state.

A register can contain the image (mirror) of more coils; for example, each of the 16 digital inputs of a module can be read or written as a single bit by addressing the coil related to each input. Alternatively, the 16 bits can be read or written as a single word addressing the associated register where each bit corresponds to a coil.

In the Modbus protocol, registers and coils are divided as per the following groups of addresses:

- 0xxxx and 1xxxx = Coils (bit)
- 3xxxx and 4xxxx = Registers (word)

When read and write functions are performed, use the tables indicated below to address the registers and coils.

9 Supported Modbus Function Codes

Function	Description
01	Read Coil Status (0xxxx)
02	Read Inputs Status (1xxxx)
03	Read Holding Registers (4xxxx)
04	Read Inputs Registers (3xxxx)
05	Force Single Coil
06	Pre-set Single Register
15 (0F)	Force Multiple Coil
16 (10)	Pre-set Multiple Registers

10 Coil Table

COILS TABLE

(*)Coil (Hex)	(*)Coil (Dec)	Description	Access
0x0009	00009	Watchdog Enable	R/W
0x000A	00010	Watchdog Event	R/W
0x000B	00011	Power Up Event	R/W

NOTES:

(*) Subtract 1 from the address position number of the register and/or coil. Registers and coils marked as RO in the column 'Access' are Read only registers. Registers and coils marked as R/W in the column 'Access' are Read and Write registers. For HE379 series modules, the group of data 0xxxx is the mirror of the group 1xxxx, the group of data 3xxxx is the mirror of the group 4xxxx, therefore the first register can be addressed as either 30001 (with function code 04) or 40001 (with function code 03).

11 Register Table

REGISTER TABLE

Register Position (*)	Description	Access
40001	Test	R/W
40002	Firmware [0]	RO
40003	Firmware [1]	RO
40004	Name [0]	R/W
40005	Name [1]	R/W
40006	Communication	R/W
40007	Address	R/W
40008	Delay RX/TX	R/W
40009	Watchdog timer	R/W
40010	System Flags	R/W
40011	Input type /	R/W
40012	Channel Enabling	R/W
40015	Input # 0	RO
40016	Input # 1	RO
40017	Input # 2	RO
40018	Input # 3	RO
40019	Input # 4	RO
40020	Input # 5	RO
40021	Input # 6	RO
40022	Input # 7	RO
40023	Sync Input value # 0	RO
40024	Sync Input value # 1	RO
40025	Sync Input value # 2	RO
40026	Sync Input value # 3	RO
40027	Sync Input value # 4	RO
40028	Sync Input value # 5	RO
40029	Sync Input value # 6	RO
40030	Sync Input value # 7	RO
40031	Input Offset # 0	R/W
40032	Input Offset # 1	R/W
40033	Input Offset # 2	R/W
40034	Input Offset # 3	R/W
40035	Input Offset # 4	R/W
40036	Input Offset # 5	R/W
40037	Input Offset # 6	R/W
40038	Input Offset # 7	R/W
40039	Real Zero of Input # 0	R/W
40040	Real Span of Input # 0	R/W
40041	Scaled Physical Zero # 0	R/W
40042	Scaled Physical Span # 0	R/W
40043	Real Zero of Input # 1	R/W
40044	Real Span of Input # 1	R/W
40045	Scaled Physical Zero # 1	R/W
40046	Scaled Physical Span # 1	R/W
40047	Real Zero of Input # 2	R/W
40048	Real Span of Input # 2	R/W
40049	Scaled Physical Zero # 2	R/W
40050	Scaled Physical Span # 2	R/W
40051	Real Zero of Input # 3	R/W
40052	Real Span of Input # 3	R/W
40053	Scaled Physical Zero # 3	R/W
40054	Scaled Physical Span # 3	R/W
40055	Real Zero of Input # 4	R/W

40056	Real Span of Input # 4	R/W
40057	Scaled Physical Zero # 4	R/W
40058	Scaled Physical Span # 4	R/W
40059	Real Zero of Input # 5	R/W
40060	Real Span of Input # 5	R/W
40061	Scaled Physical Zero # 5	R/W
40062	Scaled Physical Span # 5	R/W
40063	Real Zero of Input # 6	R/W
40064	Real Span of Input # 6	R/W
40065	Scaled Physical Zero # 6	R/W
40066	Scaled Physical Span # 6	R/W
40067	Real Zero of Input # 7	R/W
40068	Real Span of Input # 7	R/W
40069	Scaled Physical Zero # 7	R/W
40070	Scaled Physical Span # 7	R/W

12 Description Modbus Registers

40001: TEST

This register is used for the following function:
-Synchronized Sampling (refer to section "Procedures")

40002 / 40003: FIRMWARE

Field of 2 read only registers; contains the firmware identifier provided by the manufacturer.

40004 / 40005: NAME

Field of 2 read/write registers (4 bytes or 4 ASCII characters) available for the user, it can contain the name of the module or an abbreviation that identifies its function inside the plant. Each one of the 4 bytes can be written by values from 0 to 255, ASCII characters included.

The default value of this field contains the identifier of the module expressed in ASCII characters.

-Default value: "7003" (ASCII).

40006: COMMUNICATION

If the user wants to set the communication parameters, it is necessary to set the bits of this register referring to the table below in order to configure baud-rate, parity and mode. The configuration of the parameters is not necessary if it is done by the dip switches.

-Default of manufacturer: 38400 bps, mode RTU, parity NONE

Bit	15	14	13	12	11	10	9	8	7	6	5	4	3	2	1	0
Desc.	-	-	-	-	-	-	-	-	-	M	P1	P0	N	B2	B1	B0

Mode	M
MODBUS ASCII	0
MODBUS RTU	1

Parity RTU	Parity ASCII	P1	P0
None	Mark	0	0
Even	Even	0	1
Odd	Odd	1	0
Space	Space	1	1

No. bit	N
7 bit	0
8 bit	1

Baud Rate	B2	B1	B0
2400	0	0	1
4800	0	1	0
9600	0	1	1
19200	1	0	0
38400	1	0	1
57600	1	1	0
115200	1	1	1

NOTE:

-the number of bits is ignored, in ASCII mode is fixed to 7; in RTU mode is fixed to 8.

40007: ADDRESS

Contains the MODBUS address of the module, the values allowed are from 1 to 247 decimal. Each node connected to the same line must have a unique address. The address 255 is used for broadcast function.

-Default value: 01

40008: DELAY RX/TX

Indicates the value of the delay time between the reception of a query and the transmission of the response, expressed as milliseconds.

-Default value: 01(1 ms)

40009: WATCHDOG TIMER

Contains the value of Watchdog timer, expressed in intervals of 0.5 seconds. If the Watchdog is enabled and the module doesn't receive a command for the time set in this register, the Watchdog Alarm will be activated (refer to section "Procedures").

-Default value: 10 (5 sec.)

40010: SYSTEM FLAGS

Contains the enable bits and system events of the module. The following parameters are configurable:

WATCHDOG ENABLE

Enables the Watchdog alarm. If the alarm is enabled and the module doesn't receive commands for a time higher than the one specified in register 40009, the Watchdog Alarm will be activated (refer to section "Procedures").

0 = Watchdog disabled.

1 = Watchdog enabled.

WATCHDOG EVENT

Indicates the state of the Watchdog Alarm. If the alarm is enabled and the module doesn't receive commands for a time higher than the one specified in register 40009, this bit is forced to 1. To erase the alarm set this bit to 0. If the bit is forced to 1 by a command of the Master unit, a Watchdog event will be simulated and consequently an alarm condition will be created.

0 = Normal condition

1 = Alarm condition

POWER-UP EVENT

This bit is forced to 1 each time the module is powered-on in order to indicate that the module has been switched-off or a reset has occurred. By setting this bit to 0 and checking its state it is possible to monitor if a reset of the module has occurred.

0 = reset not occurred

1 = reset occurred

It is possible to use this register to read and write all the bits without implementing the specific read and write functions of the coils (01-02-05-15).

Bit	10	9	8	7	6	5	4	3	2	1	0
Set.	-	-	-	-	-	-	-	-	11	10	9

40011 / 40012: INPUT TYPE / CHANNEL ENABLING

Contains the configuration of the sensor type connected to each input. It is recommended that channels not used be disabled. The numeric code associated with each input type is made of 4 bits as indicated in the table below:

- Default value: 05

- The input channels are fixed; it is possible to configure them as Disabled.

Insert the configuration values (as a group of 4 bits) in the register as indicated in the table below:

Bit	15-12	11-8	7-4	3-0
40011	Input Type #3	Input Type #2	Input Type #1	Input Type #0
40012	Input Type #7	Input Type #6	Input Type #5	Input Type #4

Value	Type
00h	Disabled
04h	n/a
05h	± 20mA

Type	Decimals
± 20 mA	3

Register	Type
40015	INPUT # 0
40016	INPUT # 1
40017	INPUT # 2
40018	INPUT # 3
40019	INPUT # 4
40020	INPUT # 5
40021	INPUT # 6
40022	INPUT # 7

These registers contain the value of each channel converted to engineering units. The values are expressed as µA for the current inputs. The numeric format is a 16-bit signed integer; the number of decimals depends on the input type as indicated in the table above.

Register	Type
40023	SYNC INPUT VALUE # 0
40024	SYNC INPUT VALUE # 1
40025	SYNC INPUT VALUE # 2
40026	SYNC INPUT VALUE # 3
40027	SYNC INPUT VALUE # 4
40028	SYNC INPUT VALUE # 5
40029	SYNC INPUT VALUE # 6
40030	SYNC INPUT VALUE # 7

When the module receives the Synchronism command (refer to "Procedures" section), the input values measured in that moment and contained in the registers 40015 - 40022 are saved, in order of channel, in these registers.

Register	Type
40031	INPUT OFFSET # 0
40032	INPUT OFFSET # 1
40033	INPUT OFFSET # 2
40034	INPUT OFFSET # 3
40035	INPUT OFFSET # 4
40036	INPUT OFFSET # 5
40037	INPUT OFFSET # 6
40038	INPUT OFFSET # 7

Introduces an offset to the input value of each channel. The value is expressed in the same format as the input registers.

Register	Type
40039	REAL ZERO OF INPUT #0
40040	REAL SPAN OF INPUT #0
40041	SCALED PHYSICAL ZERO #0
40042	SCALED PHYSICAL SPAN #0
40043	REAL ZERO OF INPUT #1
40044	REAL SPAN OF INPUT #1
40045	SCALED PHYSICAL ZERO #1
40046	SCALED PHYSICAL SPAN #1
40047	REAL ZERO OF INPUT #2
40048	REAL SPAN OF INPUT #2
40049	SCALED PHYSICAL ZERO #2
40050	SCALED PHYSICAL SPAN #2
40051	REAL ZERO OF INPUT #3
40052	REAL SPAN OF INPUT #3
40053	SCALED PHYSICAL ZERO #3
40054	SCALED PHYSICAL SPAN #3
40055	REAL ZERO OF INPUT #4
40056	REAL SPAN OF INPUT #4
40057	SCALED PHYSICAL ZERO #4
40058	SCALED PHYSICAL SPAN #4
40059	REAL ZERO OF INPUT #5
40060	REAL SPAN OF INPUT #5
40061	SCALED PHYSICAL ZERO #5
40062	SCALED PHYSICAL SPAN #5
40063	REAL ZERO OF INPUT #6
40064	REAL SPAN OF INPUT #6
40065	SCALED PHYSICAL ZERO #6
40066	SCALED PHYSICAL SPAN #6
40067	REAL ZERO OF INPUT #7
40068	REAL SPAN OF INPUT #7
40069	SCALED PHYSICAL ZERO #7
40070	SCALED PHYSICAL SPAN #7

Set the scaling, if desired, of the input registers (40015 - 40022) in the associated physical parameters.

The scaling allows the association of the configured input values and the actual physical parameters to which the input is referring to (for example, voltage associates volts to litres).

Set the range of the sensor value measured by the module (for example, Current -20000 and 20000) in the fields "Real Zero of Input" (minimum value of the input scale) and "Real Span of input" (maximum value of the input scale) associated to each channel, and set the range of the converted values (for example litres) in the fields "Scaled Physical Zero" (minimum value) and "Scaled Physical Span" (maximum value) associated to each channel.

Example:

To convert a Current input 0- 20mA into physical parameters 0-10000 litres, set the parameters as follows:

40039 = 0 40040 = 20000 40041 = 0 40042 = 10000

The following association of values will be made in the input registers that will contain the following values:

0mA = "0" 5mA = "2500" 10mA = "5000"

The default value of these registers is 0 for the parameters of Zero and 1 for the parameters of Span. This is in order to give the actual values of the configured input sensors as measured by the module.

13 Procedures

USE OF "INIT" FUNCTION

The "INIT" function allows the module to be set in the default configuration, independently of the register configuration. To use this function the dip-switches must all be in the OFF position.

The INIT forces: mode RTU, parity NONE, baud rate 9600, number of bits = 8, address 1

- Only connect the module to be configured to the RS485 port.
- Switch-off the module.
- Connect the terminal INIT to the terminal REF.
- Power-on the module.
- Check that the green "PWR" LED on the front of the module is on. If not, check the power supply connection (terminals V+ and V-).
- Set the controller communications port with the following values:
 - Mode = Modbus RTU
 - Baud-rate = 9600 bps
 - Parity = None
 - No. bits = 8
 - Stop bits = 1
- the module will respond to the address 01.
- Write the desired settings to the following Module registers:
 - 40006: "Communication" to set the baud-rate.
 - 40007: "Address" to set the address of the module.
- Switch-off the module.
- Disconnect the terminal INIT from the terminal REF.
- Power-on the module with all the dip-switches in the OFF position.
- Set the controllers communication port with the baud-rate configured in the register 40006.
- The module will respond to the address configured in the register 40007.

NOTE:

The default configuration values are the following:

- Address: 01
- Baud-rate: 38400 bps
- Protocol: RTU
- Parity: None

WATCHDOG

HE379 series modules have a Watchdog timer that, if enabled, activates an alarm each time that the communication exceeds the configured time. In the alarm condition, the green PWR LED on the front starts to blink once per second and this forces the coil "Watchdog Event" to 1. To exit the alarm condition, reset the "Watchdog Event" coil. The LED will stop blinking.

SYNCHRONISM

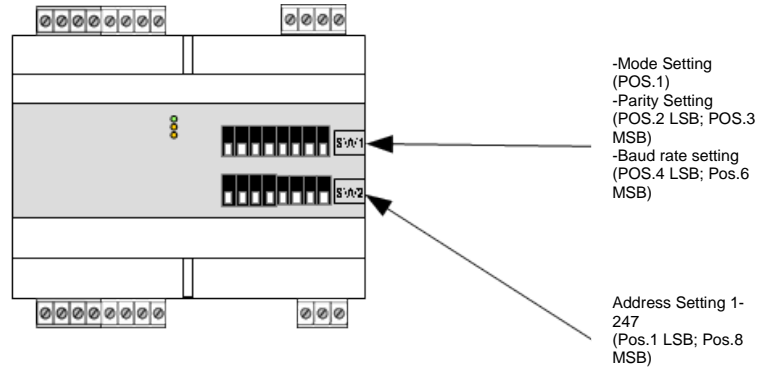
The function of Synchronism is a broadcast command sent to all the modules on the RS-485 network. When the modules receive this command, all the input values measured on receipt are saved to the appropriate registers. To send the command, write the value 10 into the register "Test" (40001), to the address '255'.

NOTE: the values of synchronism are not saved in EEPROM. After each power-on the values in the registers are reset.

CONFIGURATION BY DIP SWITCHES

Note: Set all the dip-switches to the OFF position to access the module in EEPROM mode (the module will follow the configuration parameters set by the registers) and INIT mode.

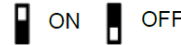
To program the module using the dip-switches, the module must be reset.



Note (*)

- in **Modbus RTU** mode the setting is **NONE**, number of bits = 8
- in **Modbus ASCII** mode the setting is **MARK**, number of bits = 7
- For the table of configuration refer to **TAB 4. Address Selection** (below).

DIP POSITION



14 Installation / safety

Warning: Remove power from the OCS controller, CAN port, and any peripheral equipment connected to this local system before adding or replacing this or any module.

- All applicable codes and standards should be followed in the installation of this product.
- Shielded, twisted-pair wiring should be used for best performance.
- Shields may be terminated at the module terminal strip.
- In severe applications, shields should be tied directly to the ground block within the panel.
- Use the following wire type or equivalent: Belden 8441.

For detailed installation and a handy checklist that covers panel box layout requirements and minimum clearances, refer to the hardware manual of the controller you are using.

When found on the product, the following symbols specify:



15 Technical support

Technical Support at the following locations:

- | | |
|--|--|
| <p>North America:
 Tel: 317 916-4274
 Fax: 317 639-4279
 Web: www.hornerautomation.com
 Email: techsppt@heapg.com</p> | <p>Europe:
 Tel: +353-21-4321266
 Fax: +353-21-4321826
 Web: http://www.horner-apg.com
 Email: tech.support@horner-apg.com</p> |
|--|--|

No part of this publication may be reproduced without the prior agreement and written permission of Horner APG, Inc. Information in this document is subject to change without notice.

